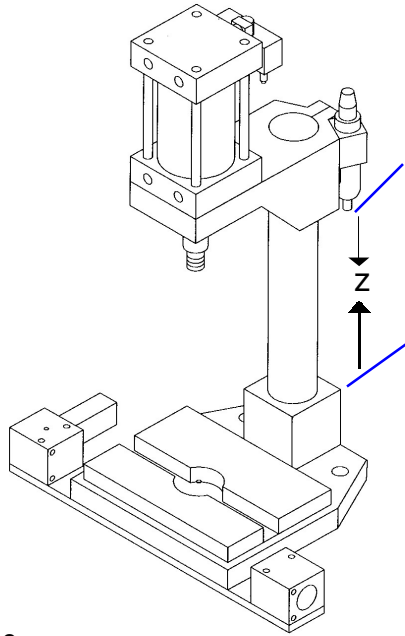


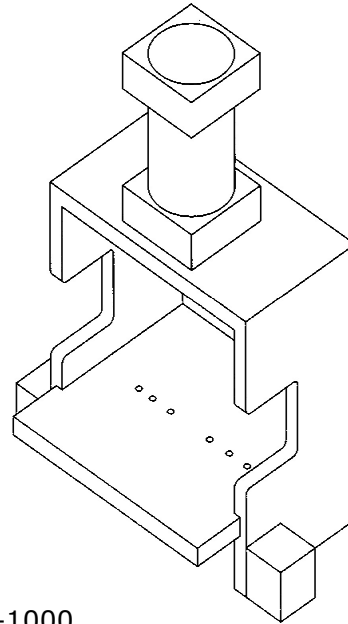
BUILD YOUR OWN PRESS

Contact Info:
 Customer: _____



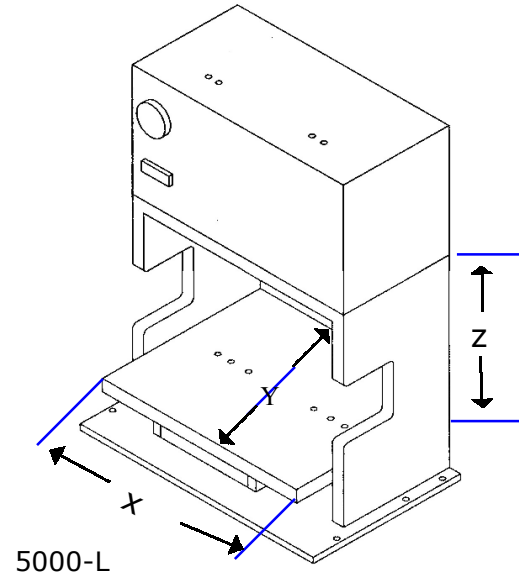
BP-500

- _____ Timer Circuit
- _____ Non-Rotating Ram
- _____ Stroke Desired (3" Std)
 - Up to 9" Max
- _____ Higher Die Clearance "Z"
- _____ Double ended cylinder to be used with customer manufactured stop rings



BP-1000

- _____ Timer Circuit
- _____ Non-Rotating Ram
- _____ 6" Cylinder (2 tons)
- _____ Stroke Desired (4" Std)
 - Up to 9" Max
- _____ Optional Upgrade Kit
 - Gauge + Counter



5000-L

- _____ Timer Circuit
- _____ Non-Rotating Ram
- _____ 6" Cylinder (2 tons)
- _____ Stroke Desired (4" Std)
 - Up to 9" Max
- _____ Wide Model w/22" Bed
- _____ Model 5000L-8 (4 tons)
- _____ Model 5000L-10 (5 ton)
- _____ Custom Internal Sizes
 - X _____ Y _____ Z _____

Note: This document will print with full lines. To see lines online view at 150% to 200%.