

# fancort Industries, Inc.

31 FAIRFIELD PLACE

WEST CALDWELL, N.J. 07006

(973) 575-0610

WWW.FANCORT.COM

FAX (973) 575-9234

## QUAD PACK SPECIFICATION SHEET

JOB NUMBER \_\_\_\_\_

MANUFACTURER

TEXAS INSTRUMENTS

PART NUMBER

S-CQFP-F84

DATE

12/20/10

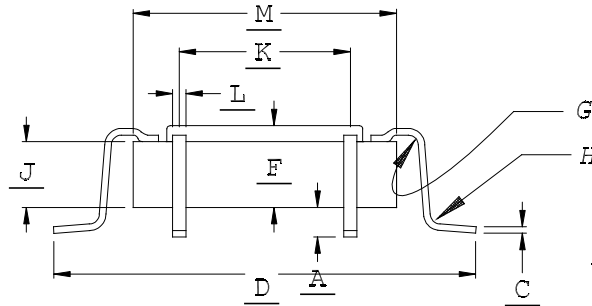
DRAWN BY FANCORT

BC

CHECKED BY \_\_\_\_\_

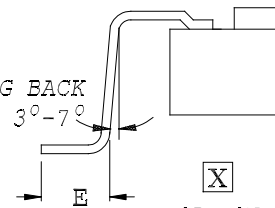
PACKAGE TYPE

TOP BRAZE



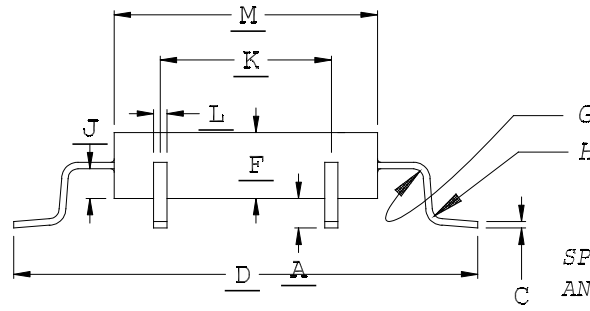
FOOT CONFIGURATIONS

SPRING BACK  
ANGLE 3°-7°

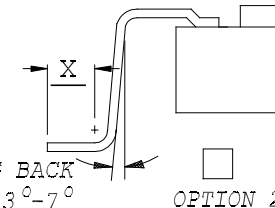


OPTION 1

SIDE EXIT

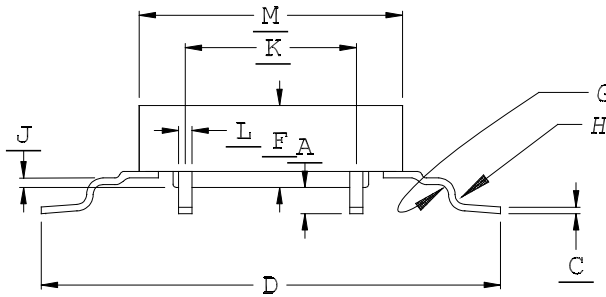


SPRING BACK  
ANGLE 3°-7°



OPTION 2  
JEDEC

BOTTOM EXIT



OPTION 1

OPTION 2

	DIM. X	DIM. Y	+/-
A	.010	.010	.002
C	.008	.008	MAX
D	.875	.875	.010
E	.050	.050	.005
F	.130	.130	MAX
G	.010	.010	.002
H	.010	.010	.002
J	.105	.105	MAX
K	.500	.500	TYP
L	.012	.012	MAX
M	.665	.665	MAX

PITCH	# OF LEADS PER SIDE	TOTAL # OF LEADS
.025	21	84

CUSTOMER SIGNATURE &  
DATE FOR ACCEPTANCE \_\_\_\_\_

CONTROLLING UNITS ARE [METRIC ] INCHES

LEADS TINNED  YES  NO

LEAD TYPE: FLAT

PACKAGE TYPE: METAL

ROUND

CERAMIC

UP  0°-4°

PLASTIC

TOE DOWN  0°-4°

GLASS SEAL