

fancort Industries, Inc.

31 FAIRFIELD PLACE

WEST CALDWELL, N.J. 07006

(973) 575-0610

WWW.FANCORT.COM

FAX (973) 575-9234

QUAD PACK SPECIFICATION SHEET

FA NUMBER _____

MANUFACTURER _____

PART NUMBER SUMMIT 100 REC QP

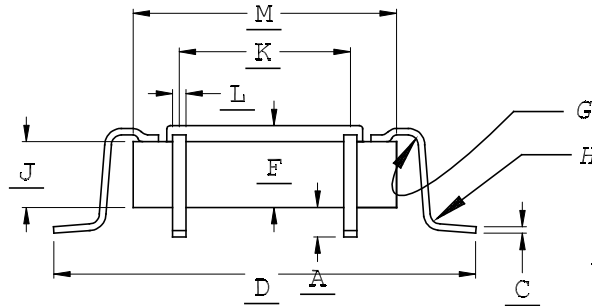
DATE 11/23/10

DRAWN BY FANCORT BC

CHECKED BY _____

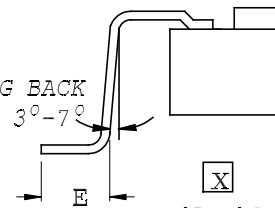
PACKAGE TYPE

TOP BRAZE



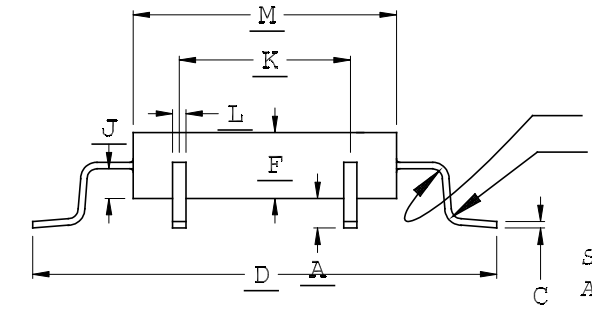
FOOT CONFIGURATIONS

SPRING BACK
ANGLE 3°-7°

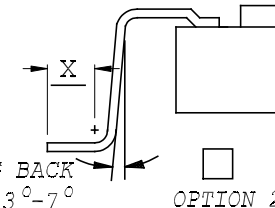


OPTION 1

SIDE EXIT

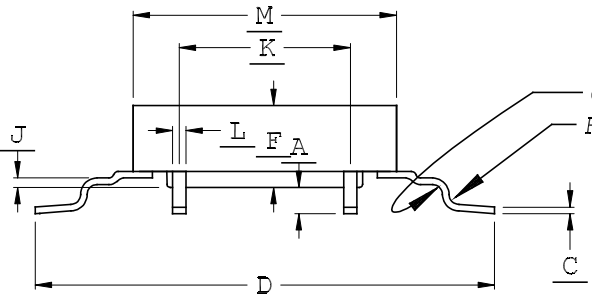


SPRING BACK
ANGLE 3°-7°



OPTION 2
JEDEC

BOTTOM EXIT



OPTION 1
OPTION 2

	DIM. I	DIM. F	TOLERANCE
A	.010	.010	.002
C	.0075	.0075	MAX
D	1.235	1.600	.010
E	.050	.050	.005
F	.110	.110	.020
G	.010	.010	.002
H	.010	.010	.002
J	TBD	TBD	
K	.600	.600	BSC
L	.010	.010	
M	.985	1.350	.015
PITCH	.025	.025	
# OF LEADS PER SIDE	25	25	
TOTAL # OF LEADS	100		

CUSTOMER SIGNATURE &
DATE FOR ACCEPTANCE _____

CONTROLLING UNITS ARE [METRIC] INCHES

LEADS TINNED YES NO

LEAD TYPE: FLAT

PACKAGE TYPE: METAL

ROUND

CERAMIC

UP 0°-4°

PLASTIC

TOE DOWN 0°-4°

GLASS SEAL