

fancort Industries, Inc.

31 FAIRFIELD PLACE

WEST CALDWELL, N.J. 07006

(973) 575-0610

WWW.FANCORT.COM

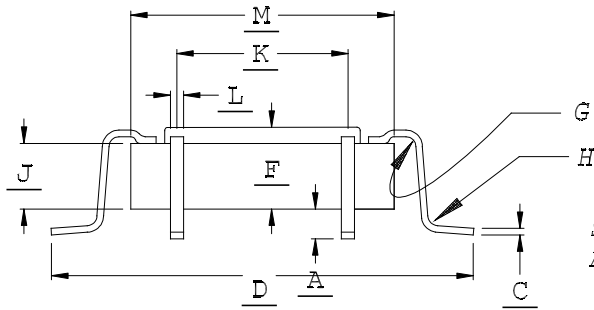
FAX (973) 575-9234

QUAD PACK SPECIFICATION SHEET

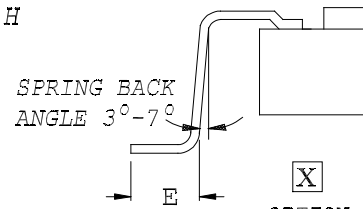
FA NUMBER _____
 MANUFACTURER TEXAS INSTRUMENTS
 PART NUMBER S-GQFP-F132
 DATE 9/4/09
 DRAWN BY FANCORT BC
 CHECKED BY _____

PACKAGE TYPE

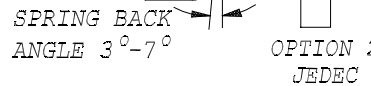
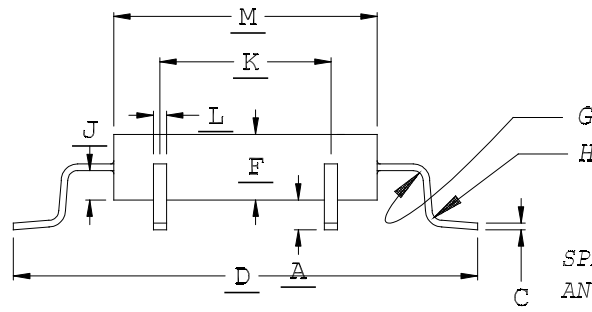
TOP BRAZE



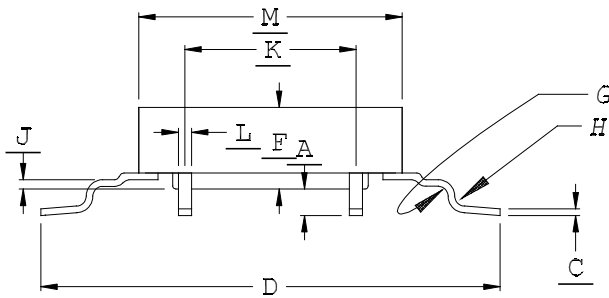
FOOT CONFIGURATIONS



SIDE EXIT



BOTTOM EXIT



OPTION 1
OPTION 2

	DIM. I	DIM. T	TOLERANCE
A	.010	.010	.002
C	.006	.006	.002
D	1.170	1.170	.010
E	.050	.050	.005
F	.150	.150	MAX
G	.012	.012	.002
H	.012	.012	.002
J	.065	.065	.010
K	.800	.800	TYP
L	.014	.014	MAX
M	.950	.950	.010
PITCH	.025	.025	
# OF LEADS PER SIDE	33	33	
TOTAL # OF LEADS	132		

CUSTOMER SIGNATURE &
DATE FOR ACCEPTANCE _____

CONTROLLING UNITS ARE [METRIC] INCHES

LEADS TINNED YES NO

LEAD TYPE: FLAT

PACKAGE TYPE: METAL

ROUND

CERAMIC

TOE UP 0°-4°

PLASTIC

DOWN 0°-4°

GLASS SEAL