

fancort Industries, Inc.

31 FAIRFIELD PLACE

WEST CALDWELL, N. J. 07006

(973) 575-0610

WWW.FANCORT.COM

FAX (973) 575-9234

FLAT PACK SPECIFICATION SHEET

FA NUMBER _____

CUSTOMER _____

PART NUMBER _____

DATE _____

DRAWN BY FANCORT _____

CHECKED BY _____

LOCKHEED MARTIN

8 LEAD FLATPACK

3/15/07

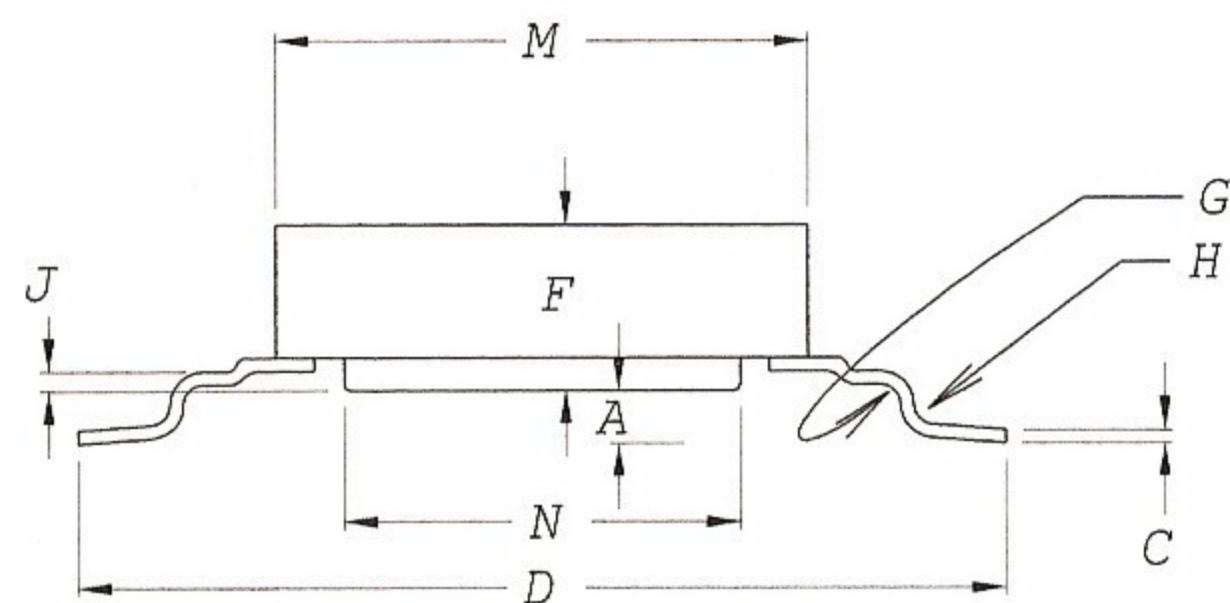
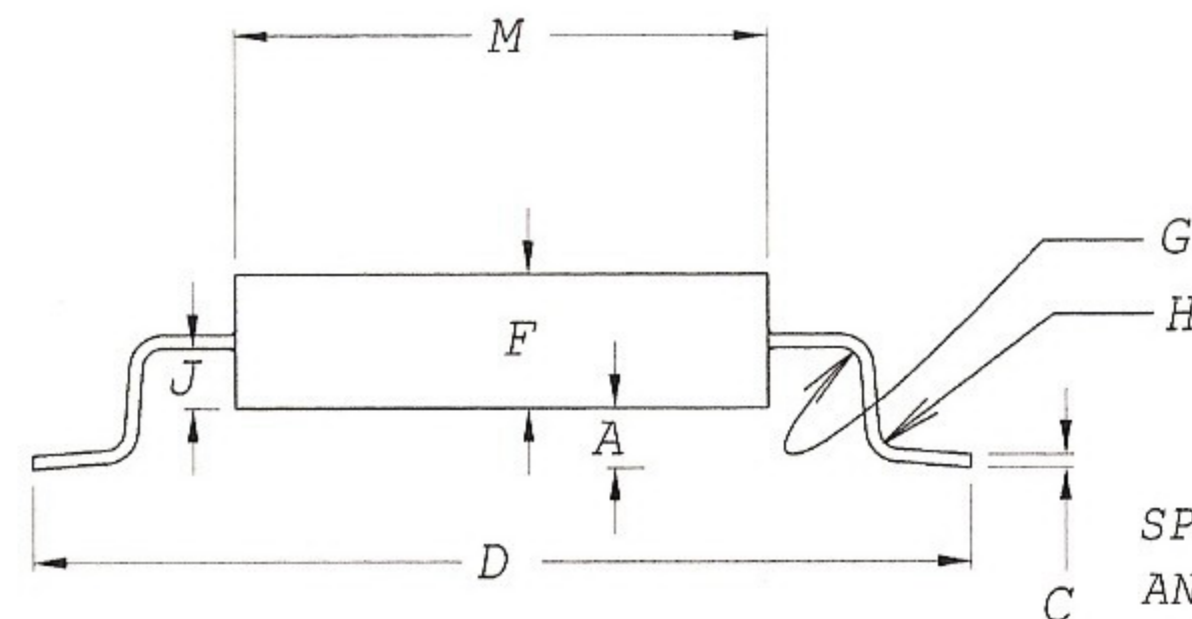
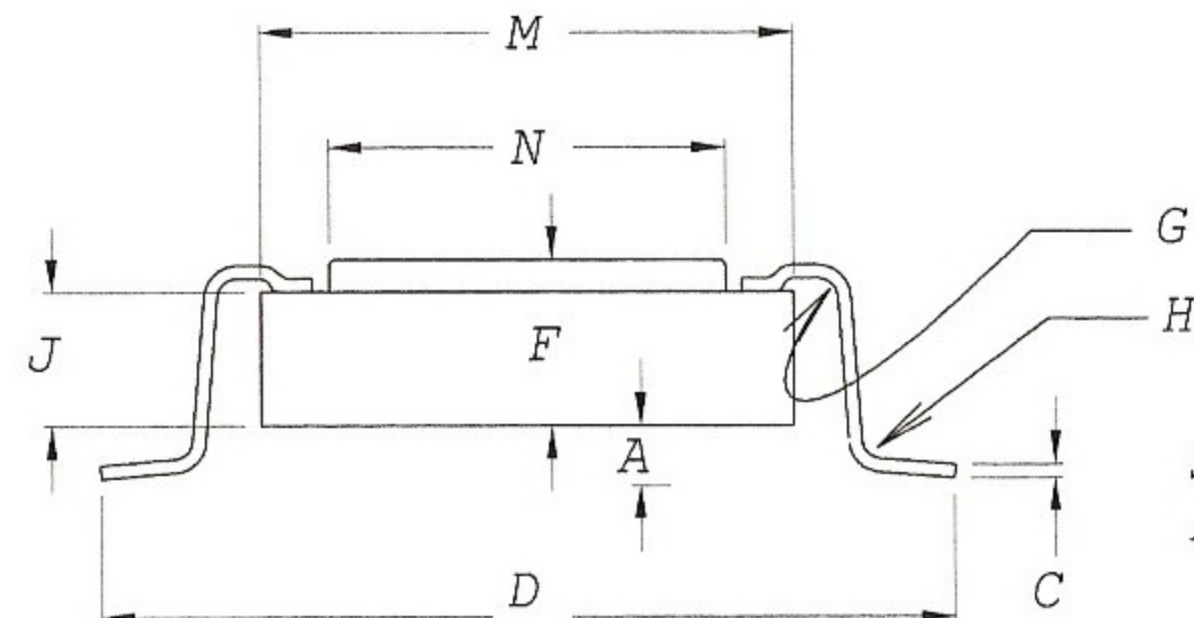
BC

PACKAGE TYPE

TOP BRAZE

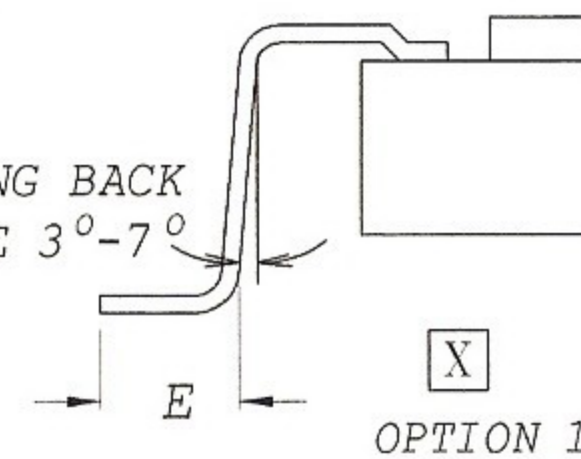
SIDE EXIT

BOTTOM EXIT



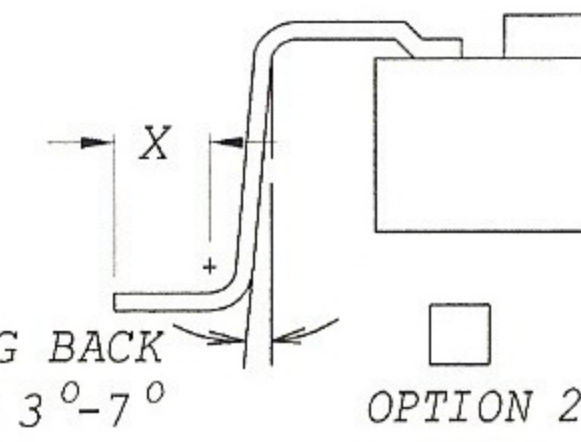
FOOT CONFIGURATIONS

SPRING BACK
ANGLE 3°-7°

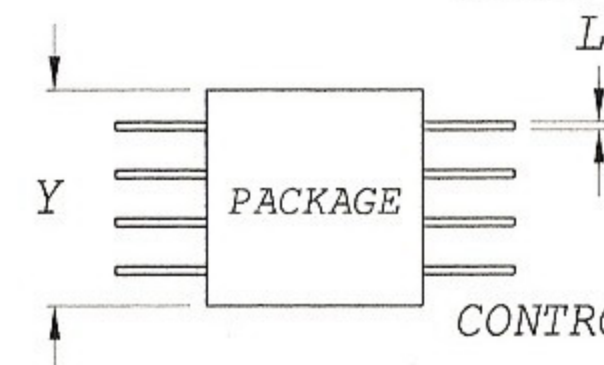


OPTION 1

SPRING BACK
ANGLE 3°-7°



OPTION 2
JEDEC



CUSTOMER SIGNATURE &
DATE FOR ACCEPTANCE _____

CONTROLLING UNITS ARE [METRIC] INCHES

LEADS TINNED YES NO

PACKAGE TYPE: METAL

CERAMIC

PLASTIC

GLASS SEAL

LEAD TYPE: FLAT

ROUND

TOE UP 0°-4°

DOWN 0°-4°

	DIM	TOLERANCE
A	.010	.002
C	.006	MAX
D	.370	.010
E	.045	.005
OPTION 1	X	-----
OPTION 2	X	-----
F	.100	MAX
G	.010	.002
H	.010	.002
J	NA	
M	.180	MAX
N	NA	
PACKAGE LENGTH	Y	.180 MAX
LEAD WIDTH	L	.017 MAX
PITCH		.050
# OF LEADS PER SIDE		4