

# fancort Industries, Inc.

31 FAIRFIELD PLACE  
(973) 575-0610

WEST CALDWELL, N.J. 07006  
WWW.FANCORT.COM FAX (973) 575-9234

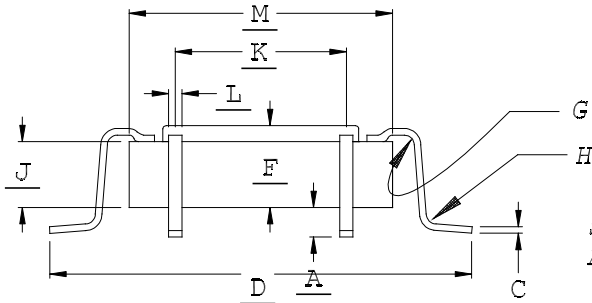
FOR L-3  
ATTN: M. LINDSHIELD

## QUAD PACK SPECIFICATION SHEET

JOB NUMBER \_\_\_\_\_  
MANUFACTURER \_\_\_\_\_  
PART NUMBER \_\_\_\_\_  
DATE \_\_\_\_\_  
DRAWN BY FANCORT \_\_\_\_\_  
CHECKED BY \_\_\_\_\_

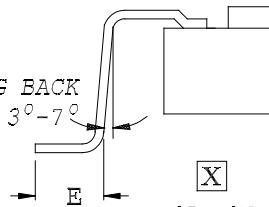
PACKAGE TYPE

TOP BRAZE



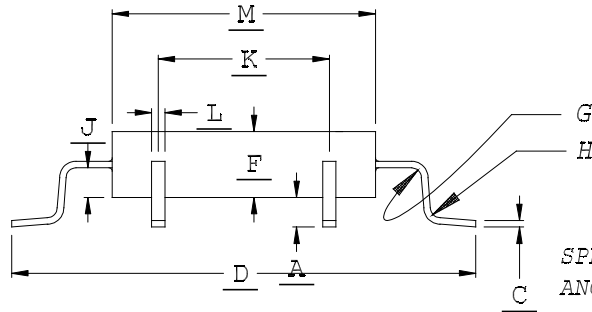
FOOT CONFIGURATIONS

SPRING BACK  
ANGLE 3°-7°

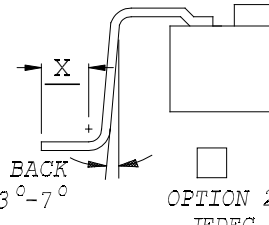


OPTION 1

SIDE EXIT

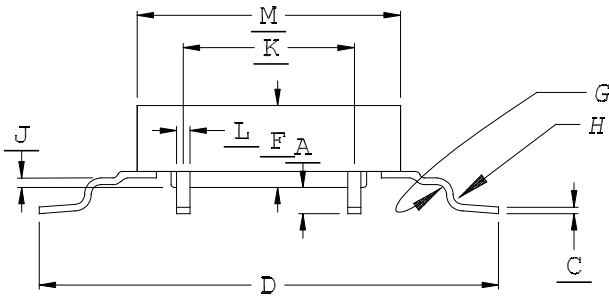


SPRING BACK  
ANGLE 3°-7°



OPTION 2  
JEDEC

BOTTOM EXIT



OPTION 1  
OPTION 2

	DIM. X	DIM. Y	TOLERANCE
A	.020	.020	.002
C	.016	.016	MAX
D	.785	.785	.010
E	.050	.050	.010
F	.135	.135	MAX
G	.030	.030	.004
H	.030	.030	.004
J	.000	.000	
K			
L	.015	.015	MAX
M	.575	.575	MAX
PITCH	.040	.040	
# OF LEADS PER SIDE	12	12	
TOTAL # OF LEADS	48		

CUSTOMER SIGNATURE &  
DATE FOR ACCEPTANCE \_\_\_\_\_

CONTROLLING UNITS ARE [METRIC ] INCHES

LEADS TINNED  YES  NO

LEAD TYPE: FLAT

PACKAGE TYPE: METAL

ROUND

CERAMIC

UP  0°-4°

PLASTIC

TOE DOWN  0°-4°

GLASS SEAL