

fancort Industries, Inc.

31 FAIRFIELD PLACE

WEST CALDWELL, N.J. 07006

FOR L-3

(973) 575-0610

WWW.FANCORT.COM

FAX (973) 575-9234

ATTN: M. LINDSHIELD

QUAD PACK SPECIFICATION SHEET

JOB NUMBER _____

MANUFACTURER _____

PART NUMBER _____

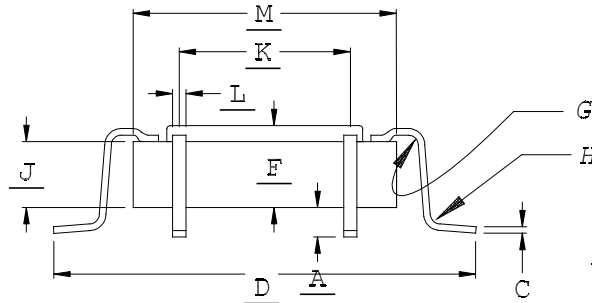
DATE _____

DRAWN BY FANCORT _____

CHECKED BY _____

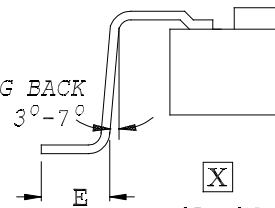
PACKAGE TYPE

TOP BRAZE



FOOT CONFIGURATIONS

SPRING BACK ANGLE 3°-7°

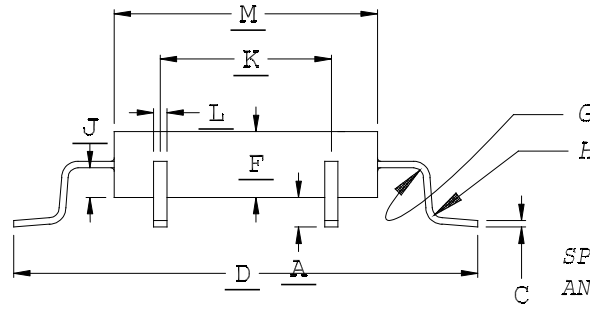


OPTION 1

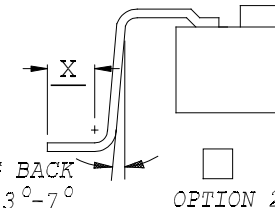
OPTION 1

OPTION 2

SIDE EXIT



SPRING BACK ANGLE 3°-7°



OPTION 2
JEDEC

	DIM. X	DIM. Y	TOLERANCE
A	.027	.027	.002
C	.016	.016	MAX
D	.785	.785	.010
E	.050	.050	.010
F	.135	.135	MAX
G	.030	.030	.004
H	.030	.030	.004
J	.000	.000	
K			
L	.015	.015	MAX
M	.575	.575	MAX
PITCH	.040	.040	
# OF LEADS PER SIDE	12	12	
TOTAL # OF LEADS	48		

CUSTOMER SIGNATURE &
DATE FOR ACCEPTANCE _____

CONTROLLING UNITS ARE [METRIC] INCHES

LEADS TINNED YES NO

LEAD TYPE: FLAT

PACKAGE TYPE: METAL

ROUND

CERAMIC

UP 0°-4°

PLASTIC

TOE DOWN 0°-4°

GLASS SEAL

BOTTOM EXIT

