

fancort Industries, Inc.

31 FAIRFIELD PLACE

WEST CALDWELL, N.J. 07006

(973) 575-0610

WWW.FANCORT.COM

FAX (973) 575-9234

QUAD PACK SPECIFICATION SHEET

JOB NUMBER _____

MANUFACTURER KYOCERA

PART NUMBER * 144 LD QUAD

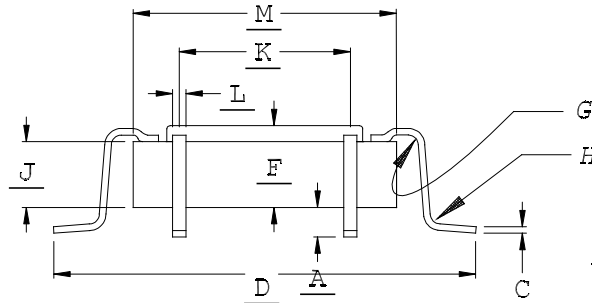
DATE 11/23/10

DRAWN BY FANCORT BC

CHECKED BY _____

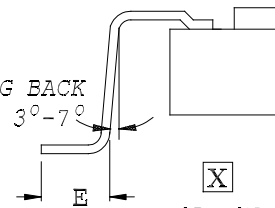
PACKAGE TYPE

TOP BRAZE



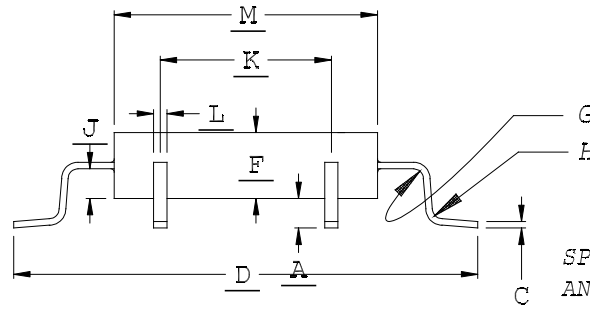
FOOT CONFIGURATIONS

SPRING BACK ANGLE 3°-7°

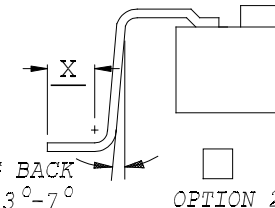


OPTION 1

SIDE EXIT

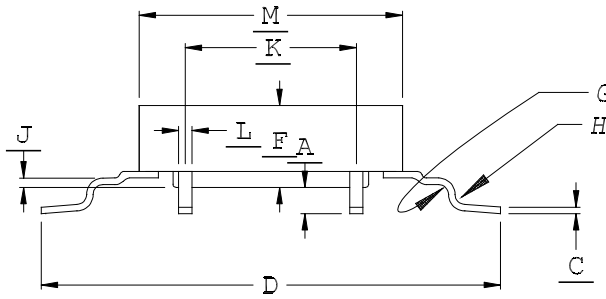


SPRING BACK ANGLE 3°-7°



OPTION 2
JEDEC

BOTTOM EXIT



OPTION 1

OPTION 2

	DIM. X	DIM. Y	TOLERANCE
A	.008	.008	REF
C	.006	.006	REF
D	.886	.886	REF
E	.030	.030	.005
F	.110	.110	
G	TBD	TBD	
H	TBD	TBD	
J	TBD	TBD	
K	.689	.689	.004
L	.008	.008	.002
M	.756	.756	.007
PITCH	.01968	.01968	
# OF LEADS PER SIDE	36	36	
TOTAL # OF LEADS	144		

CUSTOMER SIGNATURE & DATE FOR ACCEPTANCE _____

CONTROLLING UNITS ARE [METRIC] INCHES

LEADS TINNED YES NO

LEAD TYPE: FLAT

PACKAGE TYPE: METAL

ROUND

CERAMIC

UP 0°-4°

PLASTIC

TOE DOWN 0°-4°

GLASS SEAL

* COMPONENT IS PREFORMED AT KYOCERA
FANCORT CAN ONLY TRIM LEADS TO LENGTH