

# fancort Industries, Inc.

31 FAIRFIELD PLACE

WEST CALDWELL, N.J. 07006

(973) 575-0610

WWW.FANCORT.COM

FAX (973) 575-9234

## QUAD PACK SPECIFICATION SHEET

JOB NUMBER \_\_\_\_\_

MANUFACTURER INTERSIL

PART NUMBER R48.A

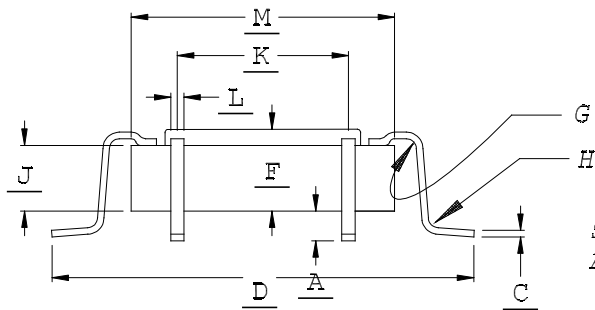
DATE 3/2/10

DRAWN BY FANCORT BC

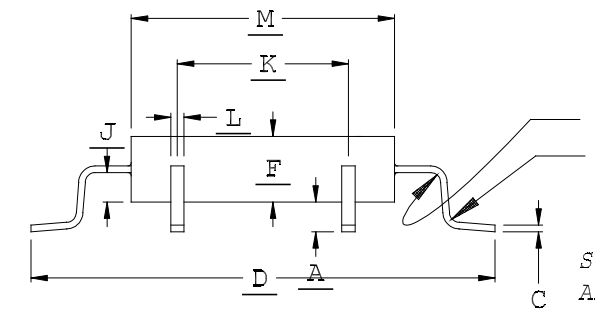
CHECKED BY \_\_\_\_\_

PACKAGE TYPE

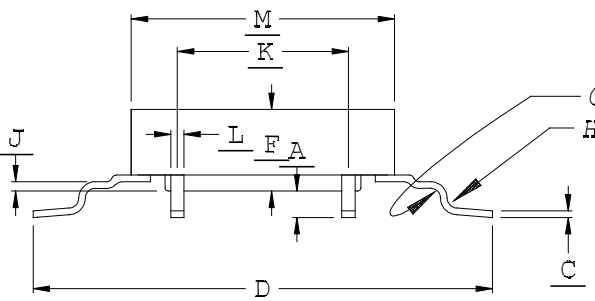
TOP BRAZE



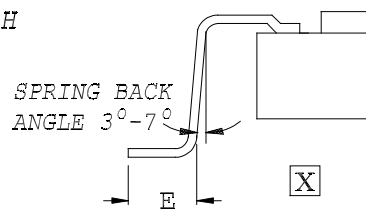
SIDE EXIT



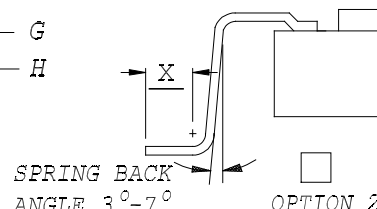
BOTTOM EXIT



FOOT CONFIGURATIONS




OPTION 1




OPTION 2  
JEDEC

OPTION 1

OPTION 2

	DIM. X	DIM. Y	+/-
A	.040	.040	.002
C	.016	.016	MAX
D	.815	.815	.010
E	.060	.060	.005
X	-----		
F	.135	.135	MAX
G	.020	.020	.002
H	.020	.020	.002
J	.000	.000	
K	.440	.440	REF
L	.015	.015	MAX
M	.575	.575	MAX
PITCH	.040	.040	
# OF LEADS PER SIDE	12	12	
TOTAL # OF LEADS	48		

CUSTOMER SIGNATURE &  
DATE FOR ACCEPTANCE \_\_\_\_\_

CONTROLLING UNITS ARE [METRIC ] INCHES

LEADS TINNED  YES  NO

LEAD TYPE: FLAT

PACKAGE TYPE: METAL

ROUND

CERAMIC

TOE UP  0°-4°

PLASTIC

DOWN  0°-4°

GLASS SEAL