

fancort Industries, Inc.

31 FAIRFIELD PLACE

WEST CALDWELL, N.J. 07006

(973) 575-0610

WWW.FANCORT.COM

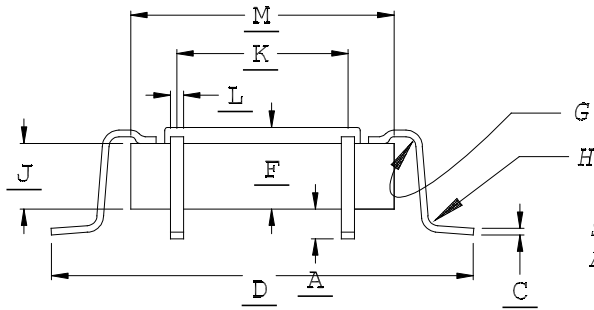
FAX (973) 575-9234

QUAD PACK SPECIFICATION SHEET

FA NUMBER _____
 MANUFACTURER INTERSIL
 PART NUMBER 352 QP
 DATE 5/26/09
 DRAWN BY FANCORT BC
 CHECKED BY _____

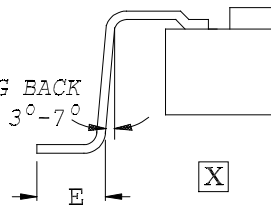
PACKAGE TYPE

TOP BRAZE



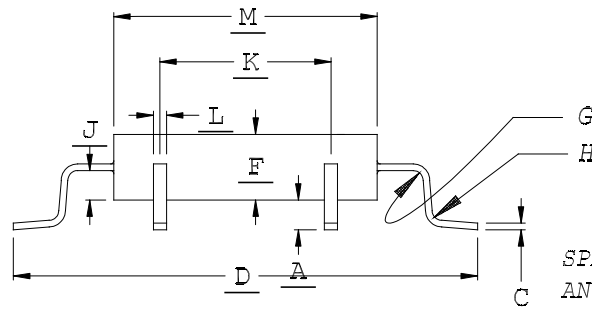
FOOT CONFIGURATIONS

SPRING BACK
ANGLE 3°-7°

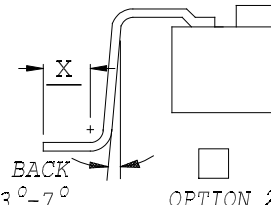


OPTION 1

SIDE EXIT

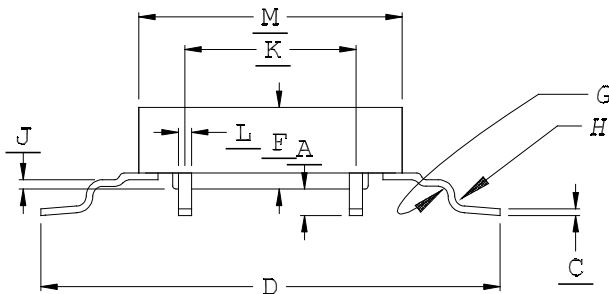


SPRING BACK
ANGLE 3°-7°



OPTION 2
JEDEC

BOTTOM EXIT



OPTION 1
OPTION 2

	DIM. I	DIM. I	+/-
A	.010	.010	.002
C	.006	.006	.002
D	2.128	2.128	.010
E	.050	.050	.005
F	.136	.136	MAX
G	.010	.010	.002
H	.010	.010	.002
J	.117	.117	MAX
K	1.713	1.713	BSC
L	.010	.010	MAX
M	1.900	1.900	MAX
PITCH	.0197	.0197	
# OF LEADS PER SIDE	88	88	
TOTAL # OF LEADS	352		

CUSTOMER SIGNATURE &
DATE FOR ACCEPTANCE _____

CONTROLLING UNITS ARE [METRIC] INCHES

LEADS TINNED YES NO

LEAD TYPE: FLAT

PACKAGE TYPE: METAL

ROUND

CERAMIC

TOE UP 0°-4°

PLASTIC

DOWN 0°-4°

GLASS SEAL