

fancort Industries, Inc.

31 FAIRFIELD PLACE

WEST CALDWELL, N. J. 07006

(973) 575-0610

WWW.FANCORT.COM

FAX (973) 575-9234

FLAT PACK SPECIFICATION SHEET

FA NUMBER _____

CUSTOMER _____

PART NUMBER **INTERSIL 8 LEAD FP**

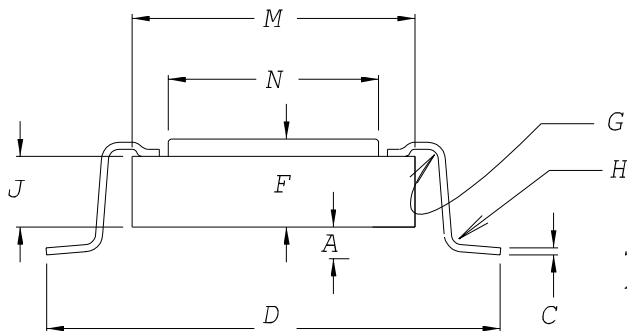
DATE _____

DRAWN BY FANCORT _____

CHECKED BY _____

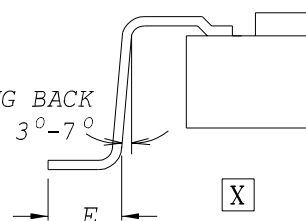
PACKAGE TYPE

TOP BRAZE



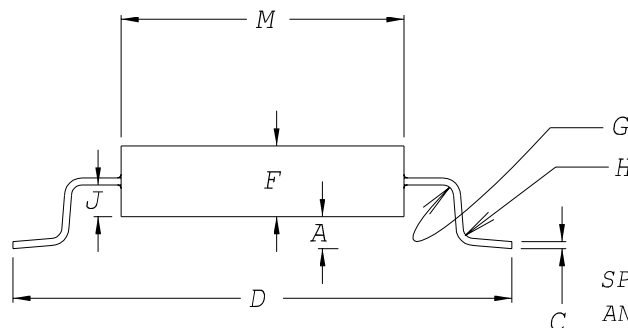
FOOT CONFIGURATIONS

SPRING BACK ANGLE 3°-7°

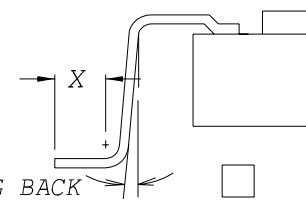


OPTION 1

SIDE EXIT



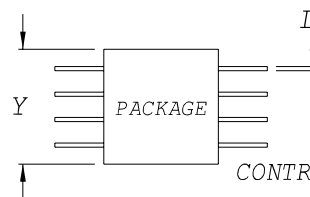
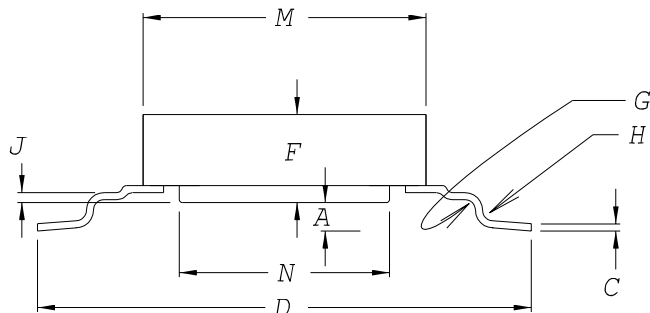
SPRING BACK ANGLE 3°-7°



OPTION 2

JEDEC

BOTTOM EXIT



CUSTOMER SIGNATURE & DATE FOR ACCEPTANCE _____

CONTROLLING UNITS ARE [METRIC] INCHES

LEADS TINNED YES NO

LEAD TYPE: FLAT

PACKAGE TYPE: METAL

ROUND

CERAMIC

TOE UP 0°-4°

PLASTIC

DOWN 0°-4°

GLASS SEAL

	DIM.	TOLERANCE	+/-
A	.010	.002	
C	.0065	.0025	
D	.465	.010	
E	.050	.005	
OPTION 1			
OPTION 2			
F	.115	MAX	
G	.012	.002	
H	.012	.002	
J	.026	MIN	
M	.265	MAX	
N	.180	MAX	
PACKAGE LENGTH	Y	.265	MAX
LEAD WIDTH	L	.022	MAX
PITCH		.050	
# OF LEADS PER SIDE		4	