

fancort Industries, Inc.

31 FAIRFIELD PLACE

WEST CALDWELL, N. J. 07006

(973) 575-0610

WWW.FANCORT.COM

FAX (973) 575-9234

QUAD PACK SPECIFICATION SHEET

FA NUMBER

IDT

MANUFACTURER

Dwg PSC-2087

PART NUMBER

DATE

9/2/08

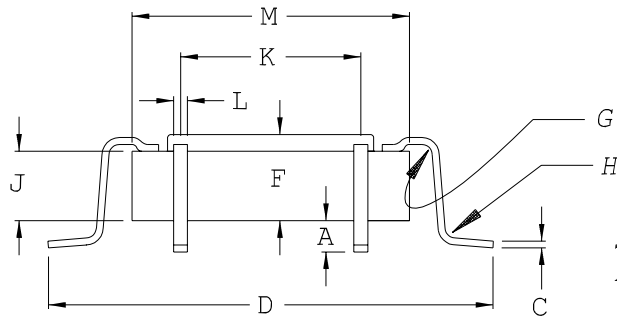
DRAWN BY FANCORT

BC

CHECKED BY

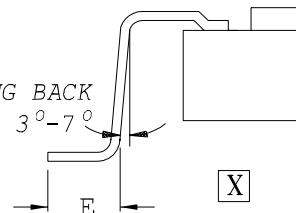
PACKAGE TYPE

TOP BRAZE



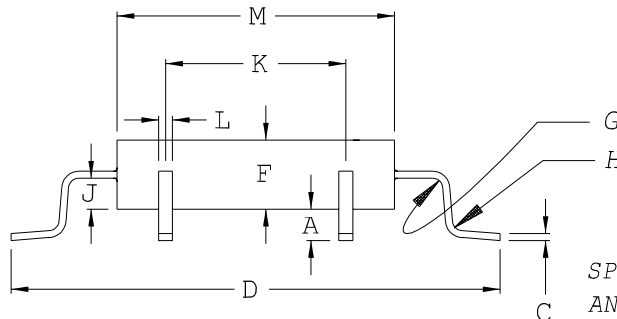
FOOT CONFIGURATIONS

SPRING BACK
ANGLE 3°-7°

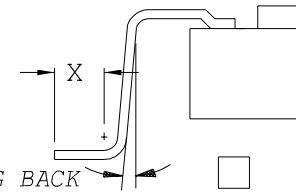


OPTION 1

SIDE EXIT

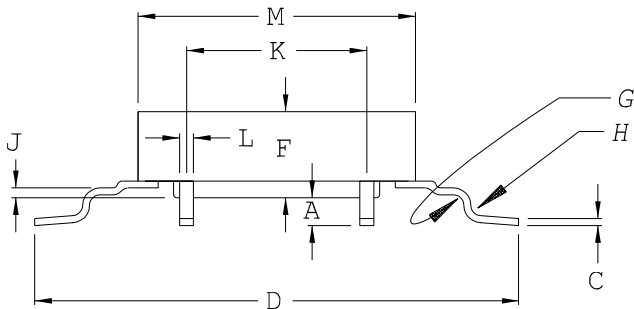


SPRING BACK
ANGLE 3°-7°



OPTION 2
JEDEC

BOTTOM EXIT



	DIM. X	DIM. Y	TOLERANCE
A	.010	.010	.002
C	.010	.010	.003
D	1.380	1.380	.010
E	.050	.050	.005
OPTION 1			
OPTION 2			
F	.140	.140	MAX
G	.016	.016	.002
H	.016	.016	.002
J	.117	.117	REF
K	1.000	1.000	BSC
L	.020	.020	MAX
M	1.170	1.170	MAX

PITCH	.050	.050
# OF LEADS PER SIDE	21	21
TOTAL # OF LEADS	84	

CUSTOMER SIGNATURE &

DATE FOR ACCEPTANCE

CONTROLLING UNITS ARE [METRIC] INCHES

LEADS TINNED YES NO

LEAD TYPE: FLAT

PACKAGE TYPE: METAL

ROUND

CERAMIC

TOE UP 0°-4°

PLASTIC

DOWN 0°-4°

GLASS SEAL