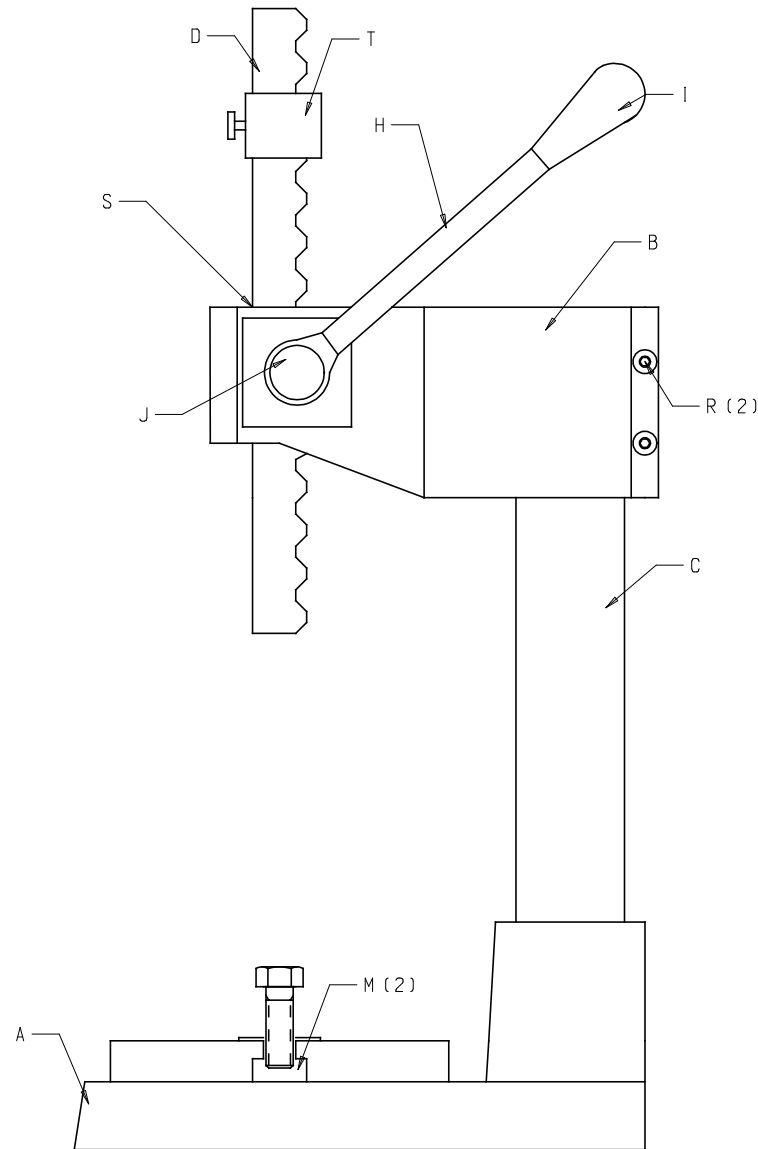
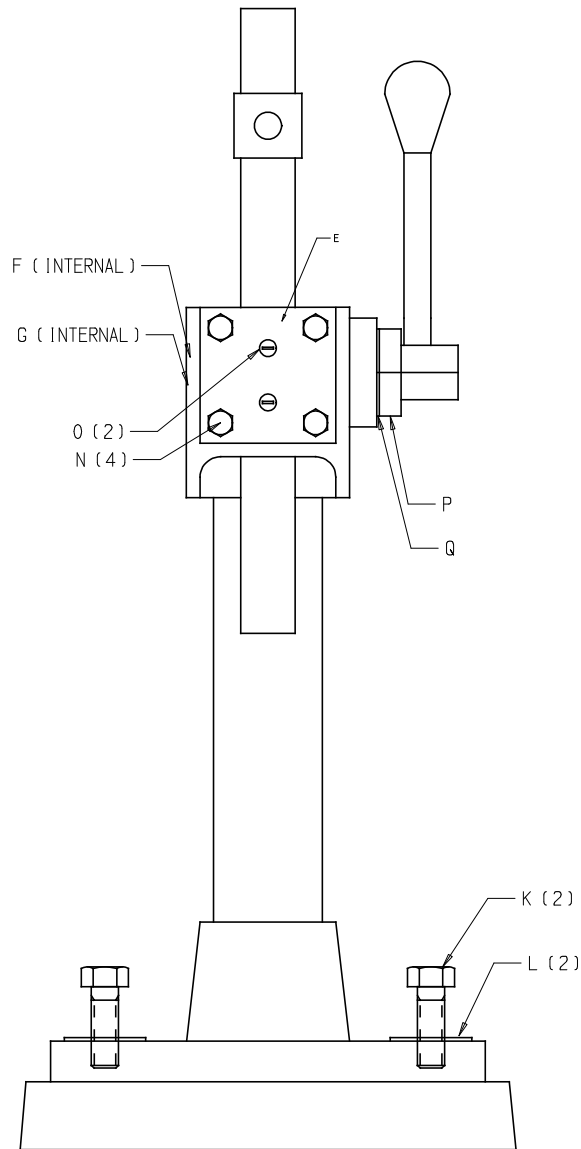


fancort industries inc.

31 FAIRFIELD PLACE WEST CALDWELL NJ 07006 973-575-0610

TOLERANCES U.O.S.	DESCRIPTION				
	BILL OF MATERIALS				
DECIMAL .XXXX .0002	DATE 12/6/10	DRAWN BY BC	SCALE		
			APPRVD BY		
DECIMAL .XXX .002	PRODUCT 3300				SHEET/LEVEL
FRACTION +/- .015	DRAWING # FD085-100				SERIAL #
ANGULAR +/- .5	DATE	REV	E.C.O. #	AUTH	BY CK



BILL OF MATERIALS

QUANTITY	DESCRIPTION
A	1 CAST BASE
B	1 CAST HEAD
C	1 POST
D	1 RACK GEAR
E	1 FRONT PLATE
F	1 SHAFT GEAR
G	1 BRONZE BUSHING
H	1 ARM
I	1 ARM HANDLE
J	1 ARM/GEAR CONNECTION BRACKET
K	2 1/2-13 BOLTS
L	2 WASHERS
M	2 T-NUTS
N	4 1/4-20 PLATE BOLTS
O	2 10-32 SET SCREWS & NUTS
P	1 SPLIT RING
Q	1 PLASTIC WASHER
R	2 5/16-18 SHCS
S	1 BRASS PRESSURE PLATE
T	1 STROKE LIMIT CLAMP