

fancort Industries, Inc.

31 FAIRFIELD PLACE

WEST CALDWELL, N.J. 07006

(973) 575-0610

WWW.FANCORT.COM

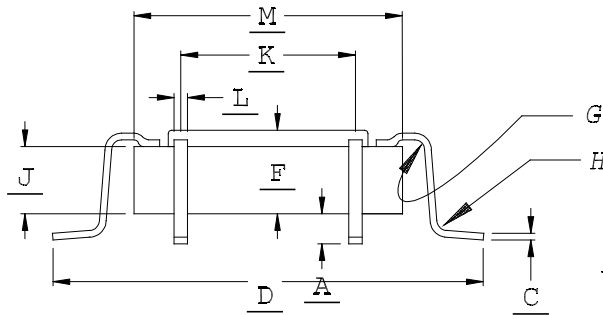
FAX (973) 575-9234

QUAD PACK SPECIFICATION SHEET

FA NUMBER _____
 MANUFACTURER AEROFLEX
 PART NUMBER UT7C138/139
 DATE 4/9/09
 DRAWN BY FANCORT BC
 CHECKED BY _____

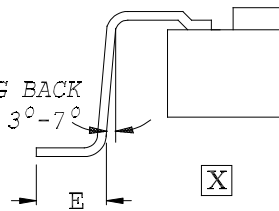
PACKAGE TYPE

TOP BRAZE



FOOT CONFIGURATIONS

SPRING BACK
ANGLE 3°-7°

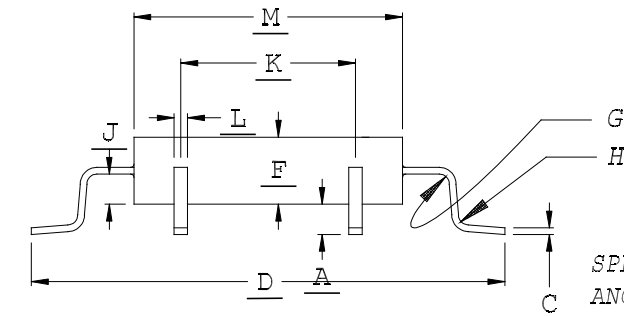


OPTION 1

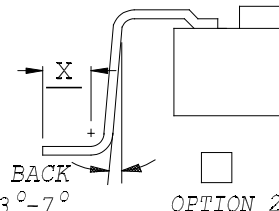
OPTION 1

OPTION 2

SIDE EXIT



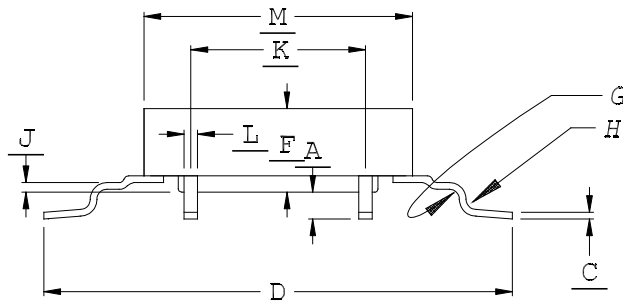
SPRING BACK
ANGLE 3°-7°



OPTION 2

JEDEC

BOTTOM EXIT



	DIM. X	DIM. Y	TOLERANCE
A	.010	.010	.002
C	.008	.008	.001
D	1.175	1.175	.010
E	.050	.050	.005
F	.090	.090	MAX
G	.012	.012	.002
H	.012	.012	.002
J	.066	.066	.007
K	.800	.800	REF
L	.018	.018	MAX
M	.965	.965	MAX

PITCH	DIM. X	DIM. Y
PITCH	.050	.050
# OF LEADS PER SIDE	17	17
TOTAL # OF LEADS	68	

CUSTOMER SIGNATURE &
DATE FOR ACCEPTANCE _____

CONTROLLING UNITS ARE [METRIC] INCHES

LEADS TINNED YES NO

LEAD TYPE: FLAT

PACKAGE TYPE: METAL

ROUND

CERAMIC

UP 0°-4°

PLASTIC

DOWN 0°-4°

GLASS SEAL