

fancort Industries, Inc.

31 FAIRFIELD PLACE

WEST CALDWELL, N.J. 07006

(973) 575-0610

WWW.FANCORT.COM

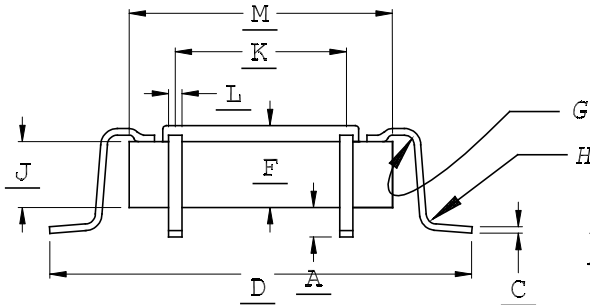
FAX (973) 575-9234

QUAD PACK SPECIFICATION SHEET

FA NUMBER _____
 MANUFACTURER AEROFLEX
 PART NUMBER UT8ER512K32
 DATE 6/30/11
 DRAWN BY FANCORT BC
 CHECKED BY _____

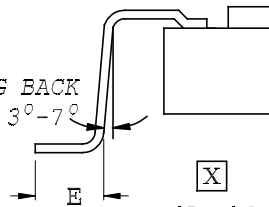
PACKAGE TYPE

TOP BRAZE



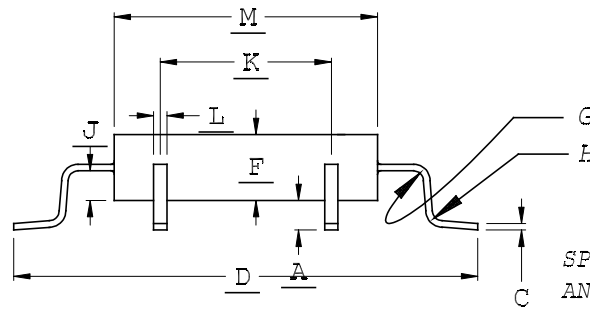
FOOT CONFIGURATIONS

SPRING BACK
ANGLE 3°-7°

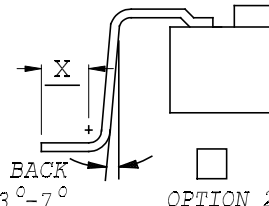


OPTION 1

SIDE EXIT

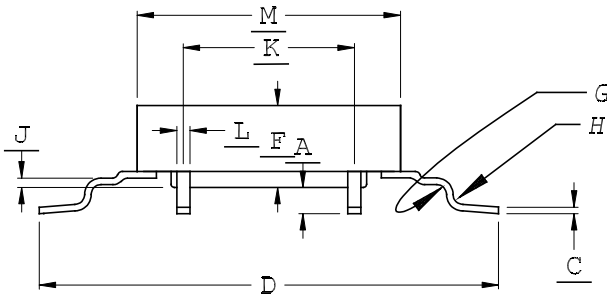


SPRING BACK
ANGLE 3°-7°



OPTION 2
JEDEC

BOTTOM EXIT



OPTION 1
OPTION 2

	DIM. I	DIM. F	TOLERANCE
A	.040	.040	.002
C	.008	.008	.002
D	1.190	1.190	.010
E	.050	.050	.005
F	.130	.130	MAX
G	.014	.014	
H	.014	.014	
J	.000	.000	REF
K	.800	.800	
L	.015	.015	TYP
M	.989	.989	MAX
PITCH	.050	.050	
# OF LEADS PER SIDE	17	17	
TOTAL # OF LEADS	68		

CUSTOMER SIGNATURE &
DATE FOR ACCEPTANCE _____

CONTROLLING UNITS ARE [METRIC] INCHES

LEADS TINNED YES NO

LEAD TYPE: FLAT

PACKAGE TYPE: METAL

ROUND

CERAMIC

UP 0°-4°

PLASTIC

TOE DOWN 0°-4°

GLASS SEAL