

fancort Industries, Inc.

31 FAIRFIELD PLACE

WEST CALDWELL, N.J. 07006

(973) 575-0610

WWW.FANCORT.COM

FAX (973) 575-9234

QUAD PACK SPECIFICATION SHEET

FA NUMBER _____

CUSTOMER ACTEL

PART NUMBER CQ256-FG896

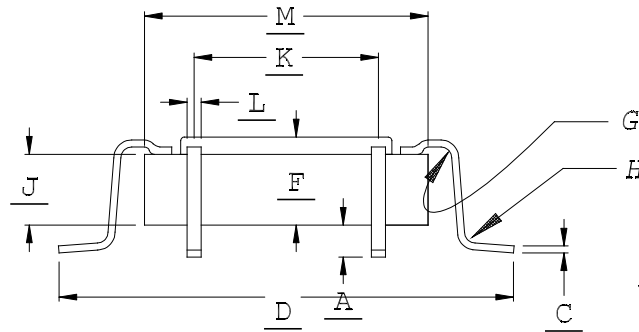
adapter socket

DATE _____

DRAWN BY FANCORT _____

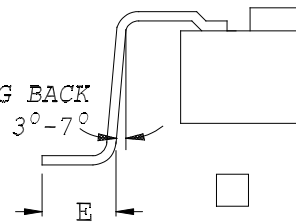
PACKAGE TYPE

TOP BRAZE



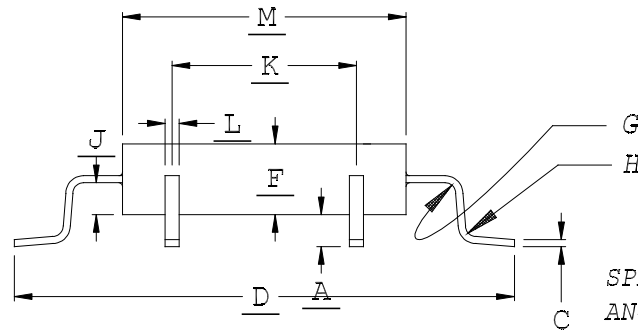
FOOT CONFIGURATIONS

SPRING BACK
ANGLE 3°-7°

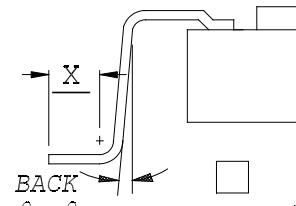


OPTION 1

SIDE EXIT

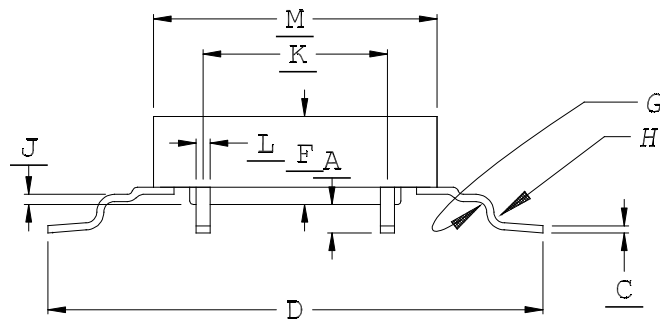


SPRING BACK
ANGLE 3°-7°



OPTION 2
JEDEC

BOTTOM EXIT



	DIM. X	DIM. Y	TOLERANCE
A	0.035	0.035	.005
C	0.006	0.006	+0.002 -.0015
D	1.660	1.660	.010
E	-----	-----	
X	0.022	0.022	.005
F	0.256	0.256	MAX
G	0.010	0.010	.002
H	0.010	0.010	.002
J	-0.016	-0.016	
K	1.235	1.235	BSC
L	0.008	0.008	+0.0016 -.0008
M	1.516	1.516	MAX

OPTION 1

OPTION 2

PITCH	0.0196	0.0196	
# OF LEADS PER SIDE	64	64	
TOTAL # OF LEADS	256		

CUSTOMER SIGNATURE &

DATE FOR ACCEPTANCE _____

CONTROLLING UNITS ARE [METRIC] INCHES

LEADS TINNED YES NO

LEAD TYPE: FLAT

PACKAGE TYPE: METAL

ROUND

CERAMIC

UP 0°-4°

PLASTIC

TOE DOWN 0°-4°

GLASS SEAL