

fancort Industries, Inc.

31 FAIRFIELD PLACE

WEST CALDWELL, N. J. 07006

(973) 575-0610

WWW.FANCORT.COM

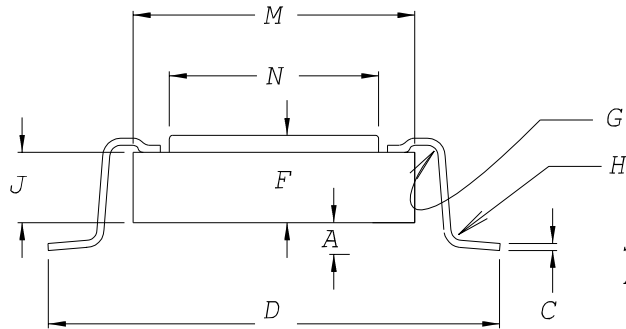
FAX (973) 575-9234

FLAT PACK SPECIFICATION SHEET

FA NUMBER _____
 CUSTOMER AEROJET
 PART NUMBER 14 LEAD FLATPACK
 DATE 3/15/07
 DRAWN BY FANCORT _____
 CHECKED BY BC

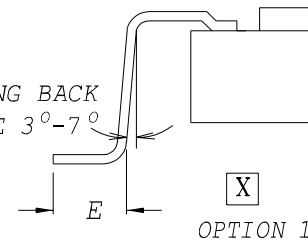
PACKAGE TYPE

TOP BRAZE

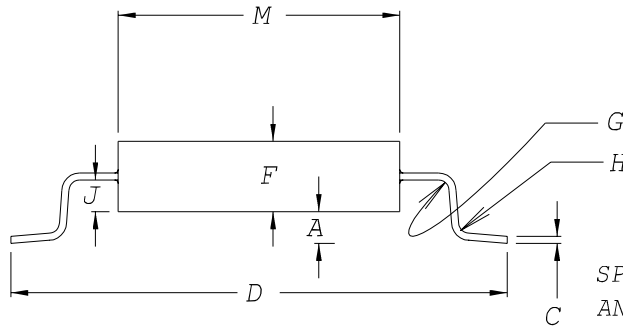


FOOT CONFIGURATIONS

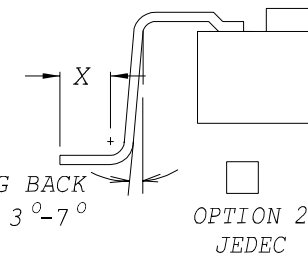
SPRING BACK ANGLE 3°-7°



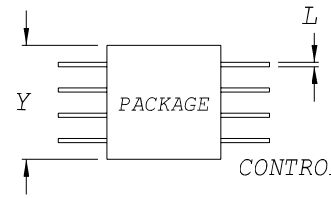
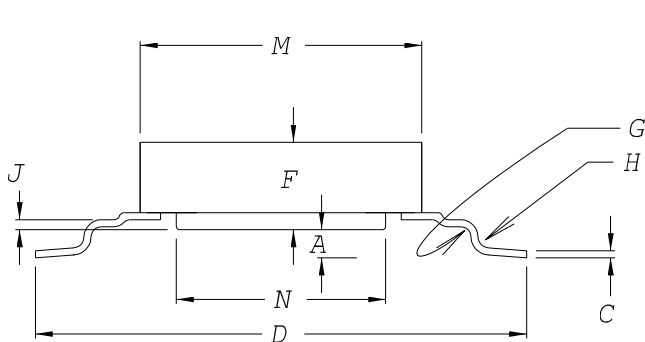
SIDE EXIT



SPRING BACK ANGLE 3°-7°



BOTTOM EXIT



CUSTOMER SIGNATURE & DATE FOR ACCEPTANCE _____

CONTROLLING UNITS ARE [METRIC] INCHES

LEADS TINNED YES NO

LEAD TYPE: FLAT

PACKAGE TYPE: METAL

ROUND

CERAMIC

TOE UP 0°-4°

PLASTIC

DOWN 0°-4°

GLASS SEAL

PROPOSED

AEROJET

14 LEAD FLATPACK

3/15/07

BC

OPTION 1
OPTION 2

	DIM	TOLERANCE
A	.010	.002
C	.009	MAX
D	.470	.010
E	.050	.005
F	.115	MAX
G	.012	.002
H	.012	.002
J	.035	.010
M	.260	MAX
N	.125	REF
PACKAGE LENGTH	Y	.390 MAX
LEAD WIDTH	L	.022 MAX
PITCH		.050
# OF LEADS PER SIDE		7